



3nh.com



Flat Grating



3.5in color touch screen



400-700nm measuring range



TS7010
ECONOMICAL
SPECTROCOLORIMETER

INTRODUCTION

TS7010 is a new portable spectrophotometer with 3nh own core research and development technology. It is the high level colorimeter in spectral architecture. In addition to ensure accurate relative ΔE at the same time, it is also to ensure the accuracy of the absolute value of L, A and B for a long time. And it can pass the international standards and national standards of calibration any time any where.



Import White Calibration Board



APPLICATION INDUSTRY

With 8mm aperture, TS7010 spectroradiometer is widely suitable for the industry production and quality inspection of accurate color difference control like plastic electronics, paint and ink, textile printing and dyeing, printing, ceramic industry etc.



Automobile

Leather

Plastics

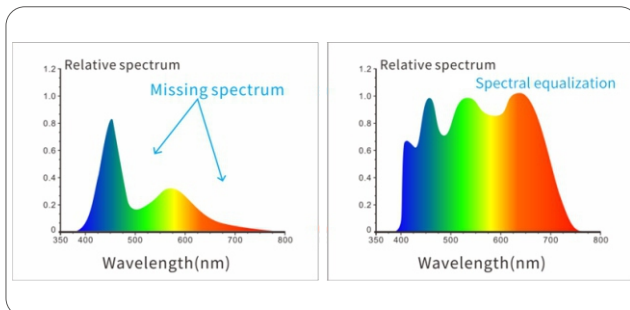
Paint

Food stuff

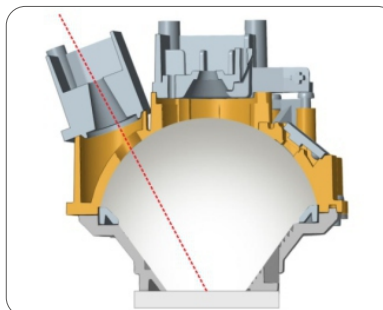
Laboratory

Others

PRODUCT ADVANTAGES



Full band balanced LED light source



ETC real-time calibration technology



Import White Calibration Board

1. Ergonomic design and easy measuring device

TS7010 spectroradiometer has a beautiful, smooth shape and comfortable grip, in line with the structure design of human mechanics, fit the palm for continuous testing, so that you can use it quickly and easily. An automatic measuring device is added, which is portable, quick and easy to measure.

2. Adopt full waveband balanced LED light source

The full waveband balanced LED light source ensures sufficient spectral distribution in the visible light range, avoids the spectral loss of white LED in specific waveband, and ensures the measurement speed and accuracy of the measurement results.

3. Silicon photodiode array sensor (24 groups with double rows)

The dual-24 array sensor with larger area has strong light but not saturate, higher sensitivity of low light and wider spectral response range, which ensures the measurement speed, accuracy, stability and consistency of the instrument.

4. Calibration Certificate

Each TS7010 spectroradiometer has been verified and tested. After leaving the factory, each instrument is verified according to the measurement standards of authoritative verification departments, and the measurement data are traceable to the National Metrological Institute to ensure the authority of the instrument test data.

5. ETC real-time calibration technology

TS7010 spectrophotometer adopts imported standard white board, which is resistant to yellowing and dirt infiltration and can be wiped, ensuring the long-term accuracy of the instrument. An innovative ETC real-time Calibration technique is also used, with a built-in standard white board into the optical system, which is reliably accurate and repeatable for each Test.

SPECIFICATION PARAMETER

TS7010 Spectrocolorimeter

Model: TS7010

Optical Geometry: D/8(diffused illumination, 8-degree viewing angle), SCI Mode, Comply to CIE No.15, GB/T 3978,GB 2893,GB/T 18833,ISO7724-1,ASTM E1164,DIN5033 Teil7

Characteristic: Φ 8mm apertures, Used for accurate color measurement and quality control in plastic electronics, paint and ink, textile and garment printing and dyeing, printing, ceramics and other industries

Integrating Sphere Size: Φ 40mm

Light Source: Combined full spectrum LED light source

Spectrophotometric Mode: Flat Grating

Senso: Silicon photodiode array (double row 24 groups)

Wavelength Range: 400~700nm

Semiband Width: 10nm

Measured Reflectance Range: L:0~100; reflectivity:The reflectivity can be measured at 1 specific wavelength specified by the user (default: 550nm)

Measuring Aperture: Φ 8mm

Specular Component: SCI

Color Space: CIE LAB,XYZ,Yxy,LCh

Color Difference Formula: $\Delta E^*ab, \Delta E^*00$

Observer Angle: 10°

Illuminant: D65,A,F2(CWF)

Displayed Data: Reflectivity (the user specifies the reflectivity at 1 specific wavelength), Samples Chromaticity Values, Color Difference Values/Graph, PASS/FAIL Result, Color Simulation, Color Offset

Displayed Accuracy: 0.1

Measuring Time: About 1.5s

Repeatability: Chromaticity value: MAV/SCI, within ΔE^*ab 0.1 (When a white calibration plate is measured 30 times at 5 second intervals after white calibration)

Inter-instrument Error: MAV/SCI, Within ΔE^*ab 0.4(Average for 12 BCRA Series II color tiles)

Measurement Mode: Single Measurement, Average Measurement(2-99times)

Locating Method: Stabilizer cross position

Dimension: L*W*H=81X71X214mm

Weight: About 460g

Battery: Li-ion battery, 6000 measurements within 8 hours

Illuminant Life Span: 5 years, more than 3 million times measurements

Display: 3.5-inch TFT color LCD, Capacitive Touch Screen

Data Port: USB

Data Storage: Standard 500 Pcs, Sample 10000 Pcs

Language: Simplified Chinese, English, Traditional Chinese

Operating Environment: 0~40°C, 0~85%RH (no condensing), Altitude < 2000m

Storage Environment: -20~50°C, 0~85%RH (no condensing)

Standard Accessory: Power Adapter, USB Cable, User Guide, White and Black Calibration Cavity, Protective Cover, Wrist strap, 8mm flat aperture

Optional Accessory: USB Micro Printer, Powder Test Box

Notes: Technical parameters are only for reference, subject to the actual sale of the product

GUANGDONG THREENH TECHNOLOGY CO., LTD.



Spectrophotometers



Colorimeters



Haze Meters



Gloss Meters



Test Charts



Light Booths

★ CONTACT US

 web:www.3nh.com

 Email:3nh@3nh.com

 Tel:0086-020-82880288

 Add: 6-8th floors, Building B33, Low Carbon Headquarters Park, Xincheng Road No.400, Zengcheng District, Guangzhou, Guangdong Province, China